

FEATURES

- Close coupled 2-pc. toilet. Combination elongated front bowl and tank, less seat.
- 12" (305mm) rough-in.
- Vitreous china.
- Low consumption (1.6 gpf/6.0 Lpf).
- Gravity feed, siphon action bowl.
- 2" fully-glazed trapway.
- Chrome trip lever.
- 2 color-matched bolt caps.
- 5 Year Limited Residential Warranty / 1 Year Commercial Warranty

COLORS

- White



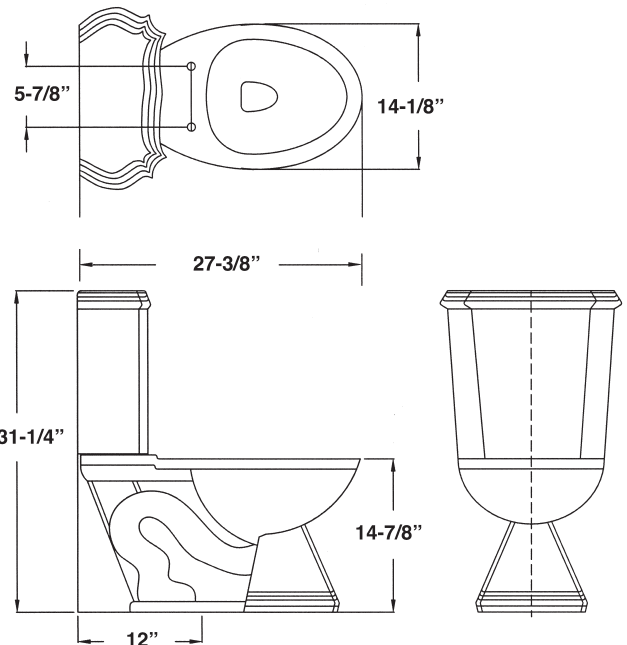
TOILETS/LAVS

Specified Model

	MODEL NO.	DESCRIPTION	Length	Width	Height
COMPLETE TOILET KITS					
<input type="checkbox"/>	TBT-1455	EL Bowl & LH Tank	27 ³ / ₈ "	17 ¹ / ₂ "	31 ¹ / ₄ "
INDIVIDUAL COMPONENTS					
<input type="checkbox"/>	TB-1455	Elongated Front Bowl	27 ³ / ₈ "	14 ¹ / ₈ "	14 ⁷ / ₈ "
<input type="checkbox"/>	TT-1450	Toilet Tank - LH Trip Lever	8 ¹ / ₂ "	17 ¹ / ₂ "	16 ³ / ₈ "


To Be Specified: Color (see below)

01 White



**Compliance Certifications -
Meets or Exceeds the Following Specifications**

- ASME A112.19.2M-1998
- Canadian Uniform Plumbing Code 2002
- UPC®

 Meets the Americans with Disabilities Act guidelines and ANSI A117.1 requirements for accessible and usable building facilities-check local codes

This toilet is designed to rough-in at a minimum dimension of 305mm (12") from finished wall to C/L of outlet. Supply not included with fixture and must be ordered separately.

Dimension shown for location of supply is suggested. For additional information refer to installation instructions supplied.